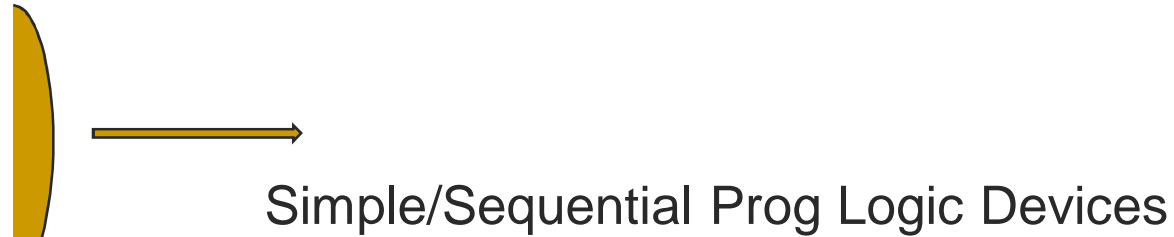




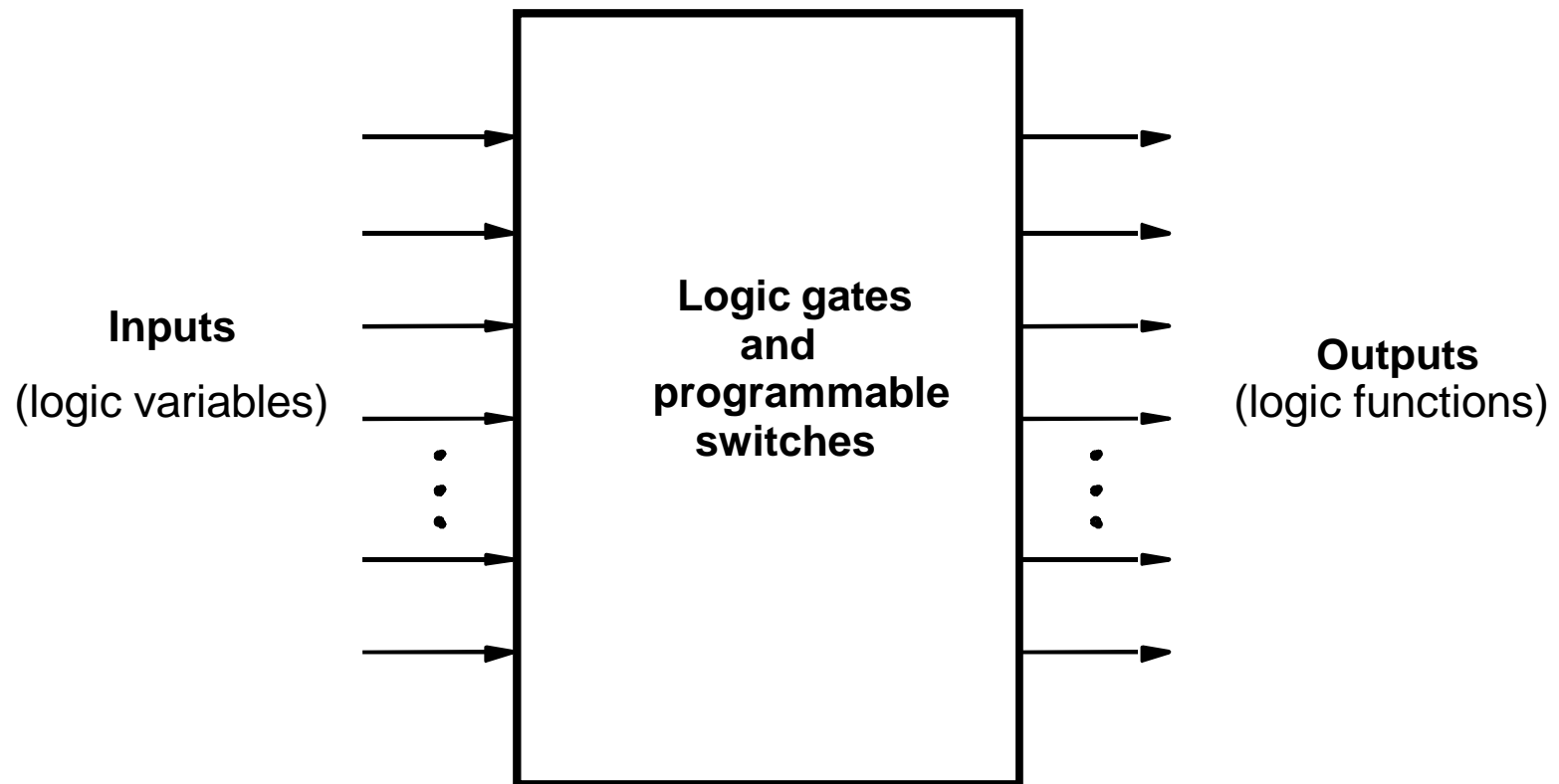
Programmable Logic Devices

■ PLDs

- Programmable Logic Devices (PLD)
 - General purpose chip for implementing circuits
 - Can be customized using programmable switches
- Programmable devices have their functionality programmed before they are first used.
- Range in complexity from 100's to 10,000's of logic gates.
- Main types of PLDs
 - ROM
 - PLA
 - PAL
 - CPLD (Complex Prog. Logic Devices)
 - FPGA (Field Prog Gate Array)
- Custom chips: standard cells, sea of gates

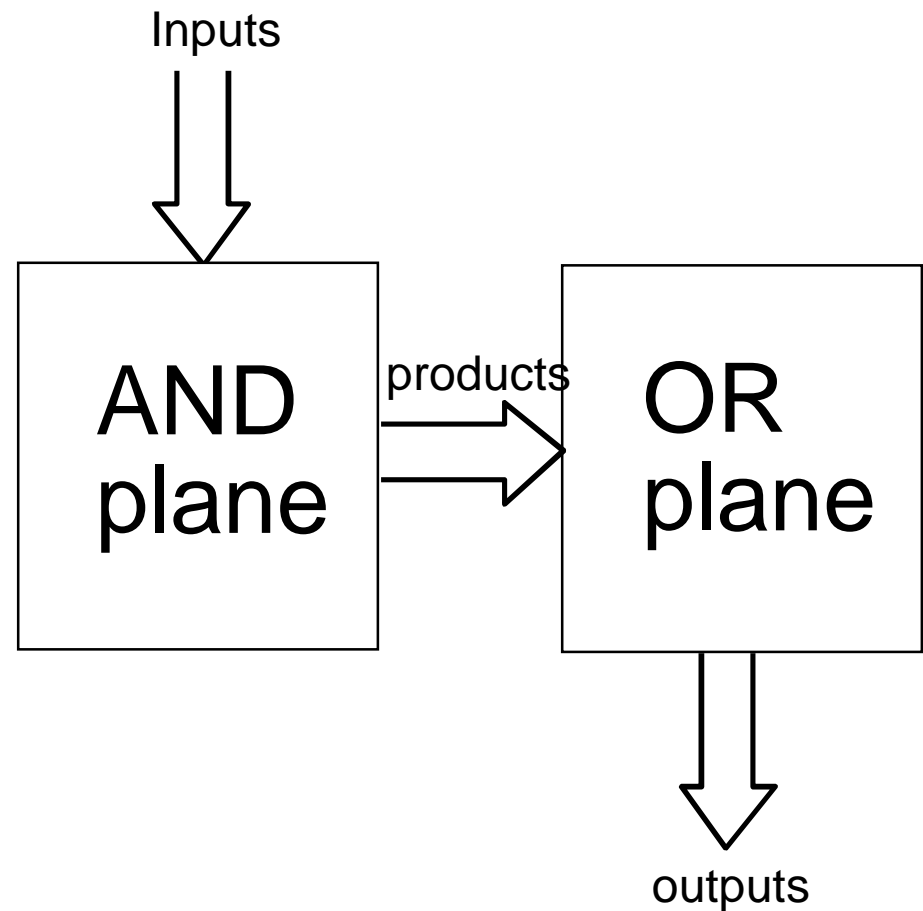


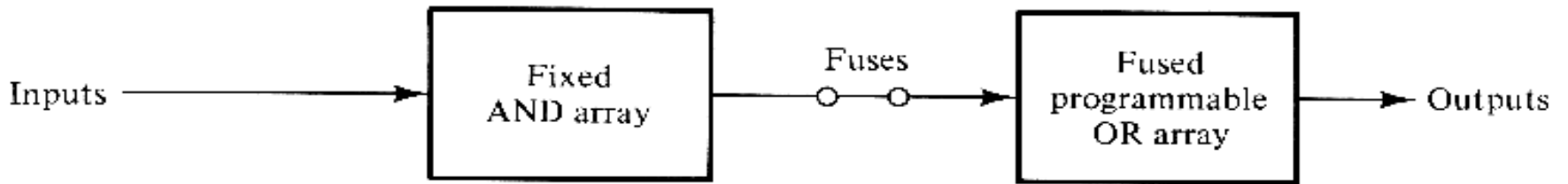
PLD as a Black Box



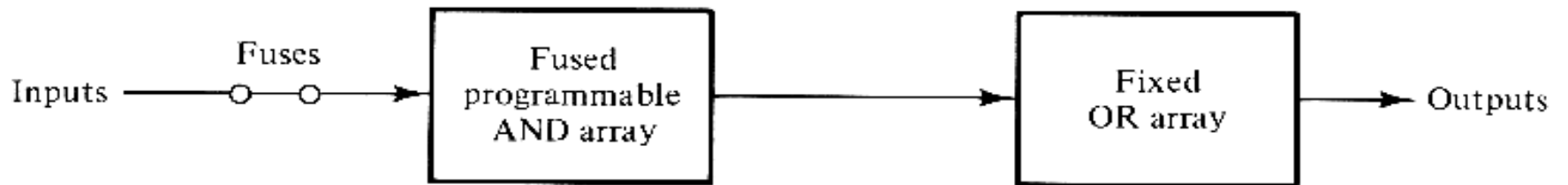
PLD's

Most of these devices are based on a two level structure (sum of products form).

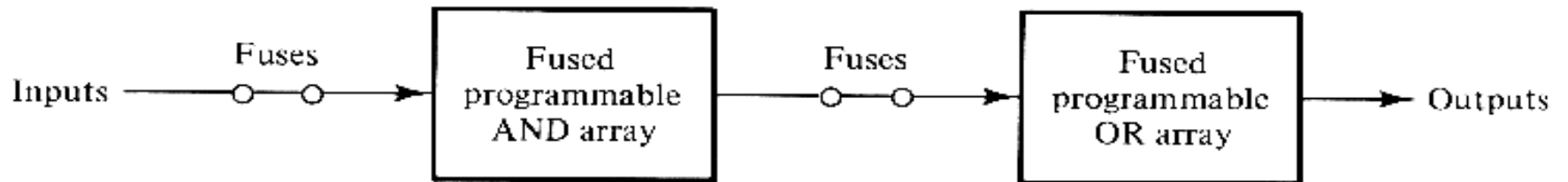




(a) Programmable read-only memory (PROM)



(b) Programmable array logic (PAL)



(c) Programmable logic array (PLA)

■ ROM

- A ROM (Read Only Memory) has a fixed AND plane and a programmable OR plane
- Size of AND plane is 2^n where n = number of input pins
 - Has an AND gate for every possible minterm so that all input combinations access a different AND gate
- OR plane dictates function mapped by the ROM

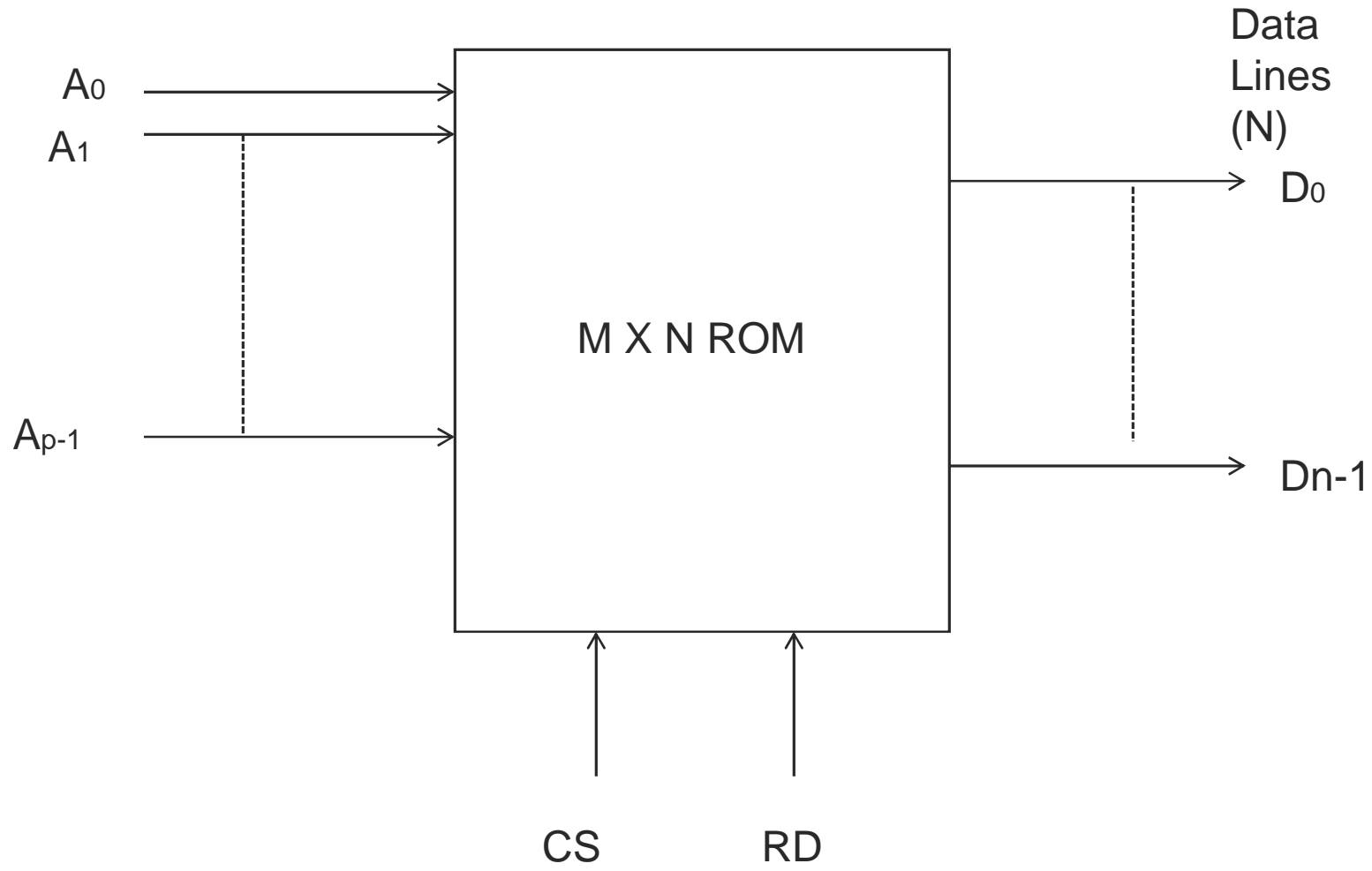
■ ROM

- a memory device of permanent binary information

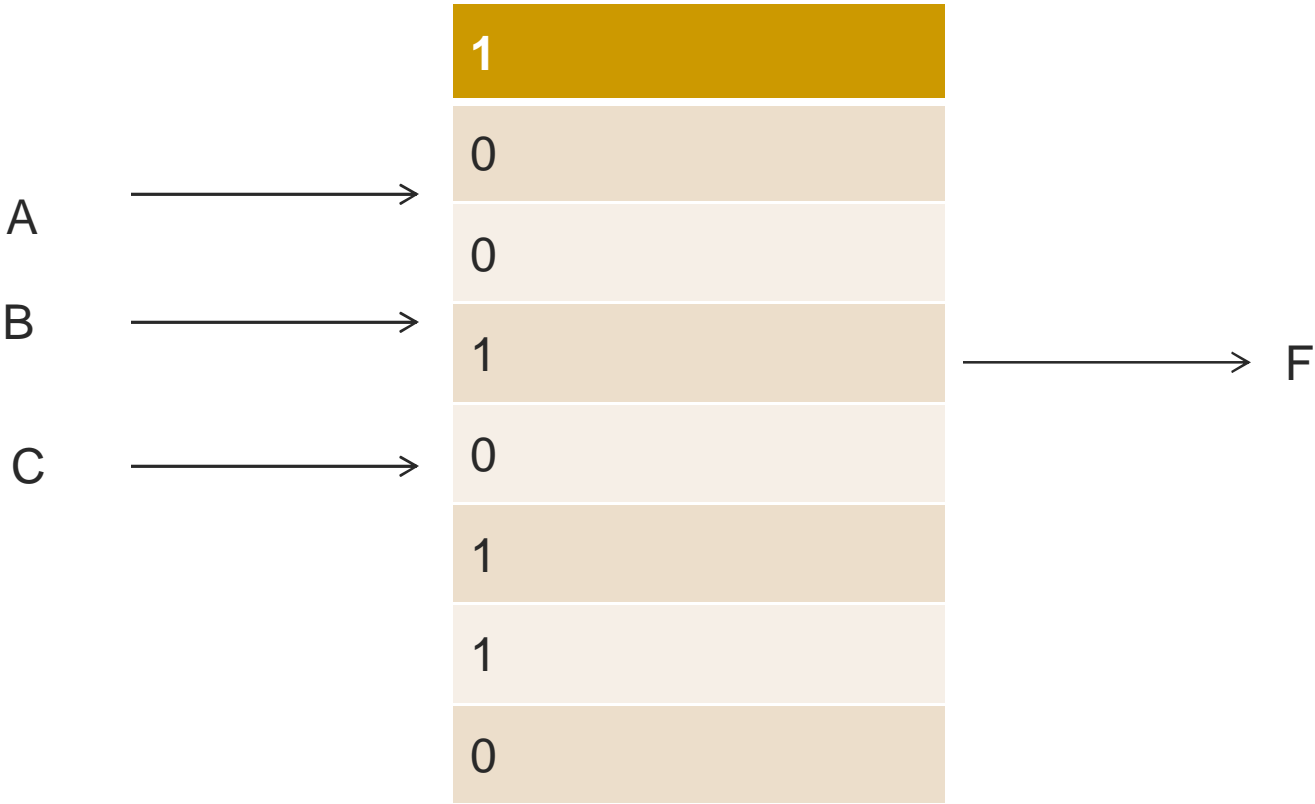



- P input lines: address lines
- 2^P distinct addresses = M locations
- N of bits at each location = Data
- n output lines: word (no of bits stored data)
- CS Signal – Chip Select Signal
- RD Signal – Read Signal

Address Lines (P) such that $2^P \geq M$ (M is no of locations)



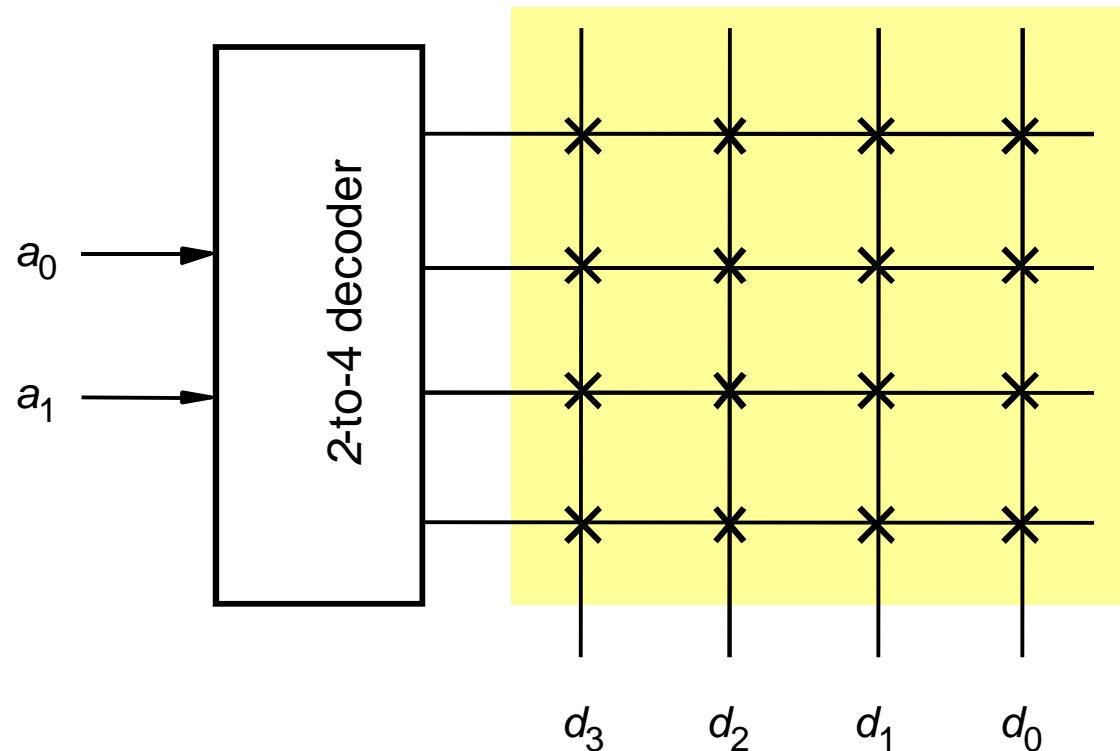
$F(A,B,C) = \Sigma(0,3,5,6)$



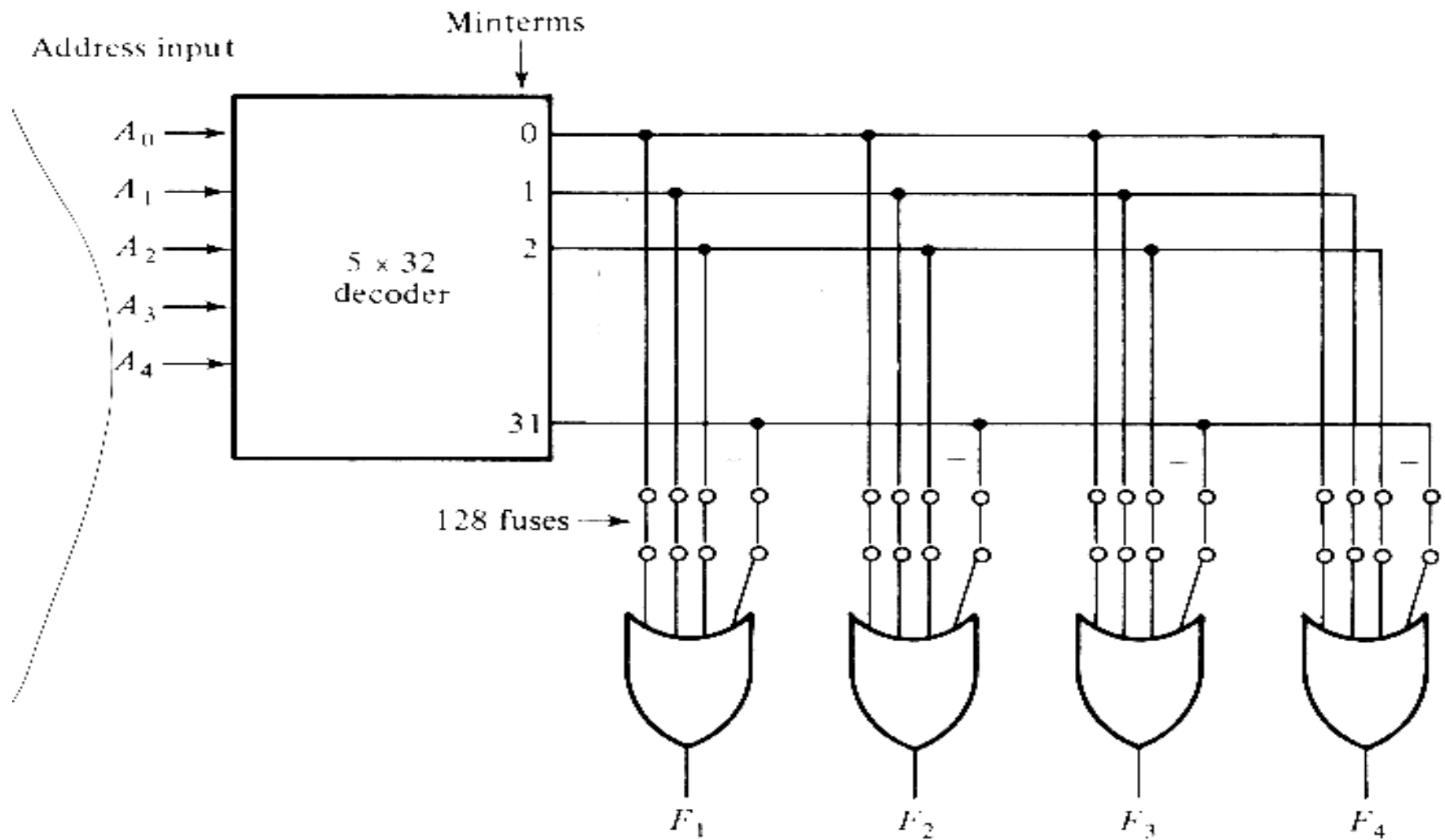
- 
- a $M \times N$ decoder is used to select the location
 - plus m OR gates
 - can be used to implement any Boolean functions of n input variables
 - a fixed AND array and a programmable OR array

4x4 ROM

- 4x4 ROM has 4 addresses that are decoded using 2 x 4 Decoder, 4 output lines and 4 data lines. Interconnections are called Crosslinks, are connected using fuses. X shows ON (1) status.



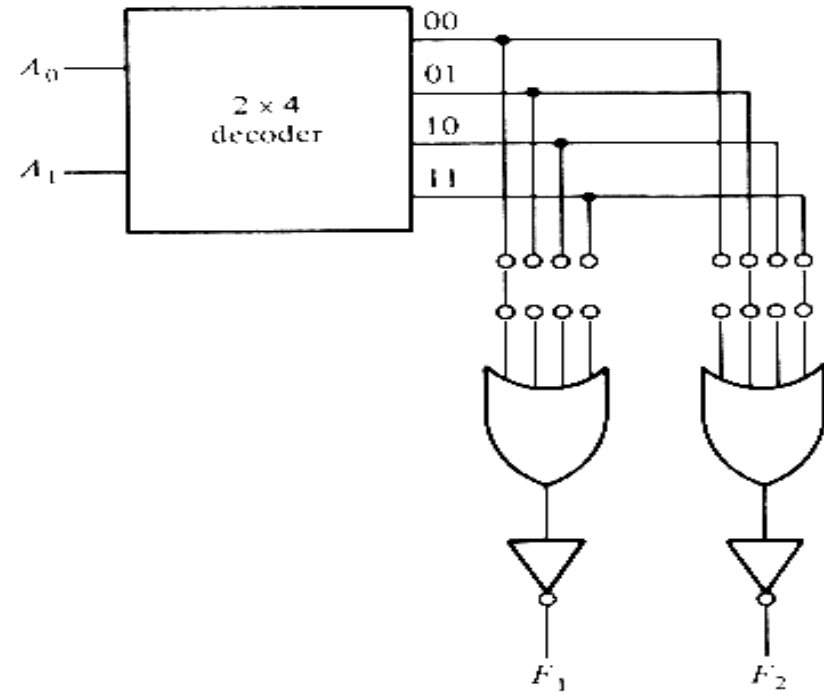
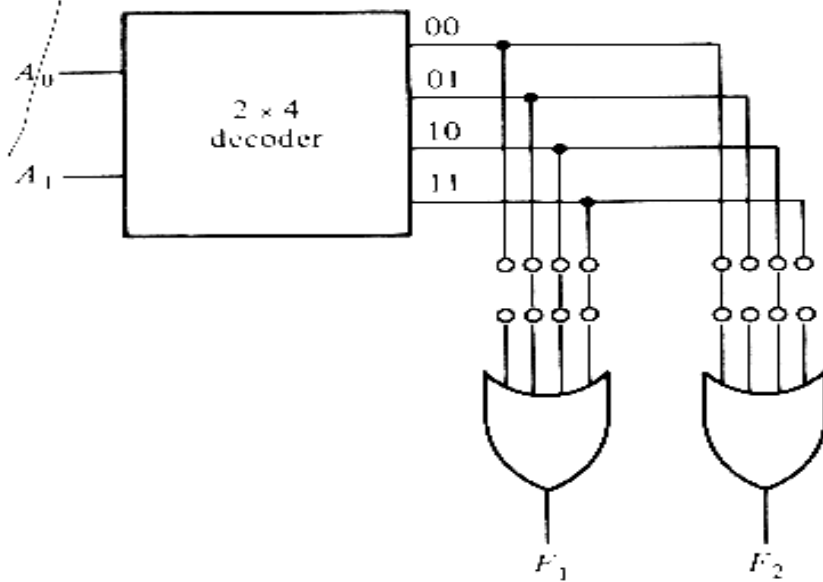
A 32x4 ROM



- combinational logic Circuit implementation
 - store the truth table in a ROM

A_1	A_0	F_1	F_2
0	0	0	1
0	1	1	0
1	0	1	1
1	1	1	0

(a) Truth table

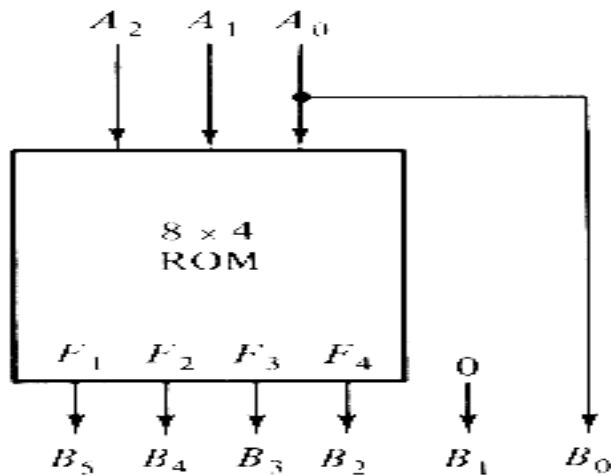


Examples 5-3

- generate the square of a 3-bit number

TABLE 5-5
Truth Table for Circuit of Example 5-3

Inputs			Outputs							Decimal
A_2	A_1	A_0	B_5	B_4	B_3	B_2	B_1	B_0		
0	0	0	0	0	0	0	0	0	0	0
0	0	1	0	0	0	0	0	0	1	1
0	1	0	0	0	0	0	1	0	0	4
0	1	1	0	0	0	1	0	0	1	9
1	0	0	0	0	1	0	0	0	0	16
1	0	1	0	0	1	1	0	0	1	25
1	1	0	1	1	0	0	1	0	0	36
1	1	1	1	1	1	0	0	0	1	49



(a) Block diagram

A_2	A_1	A_0	F_1	F_2	F_3	F_4
0	0	0	0	0	0	0
0	0	1	0	0	0	0
0	1	0	0	0	0	1
0	1	1	0	0	1	0
1	0	0	0	1	0	0
1	0	1	0	1	1	0
1	1	0	1	0	0	1
1	1	1	1	1	0	0

(b) ROM truth table

■ Types of ROMs

- mask programming ROM

- IC manufacturers

- is economical only if large quantities

- PROM: Programmable ROM

- fuses

- universal programmer

- EPROM: erasable PROM

- floating gate

- ultraviolet light erasable

- EEPROM: electrically erasable PROM

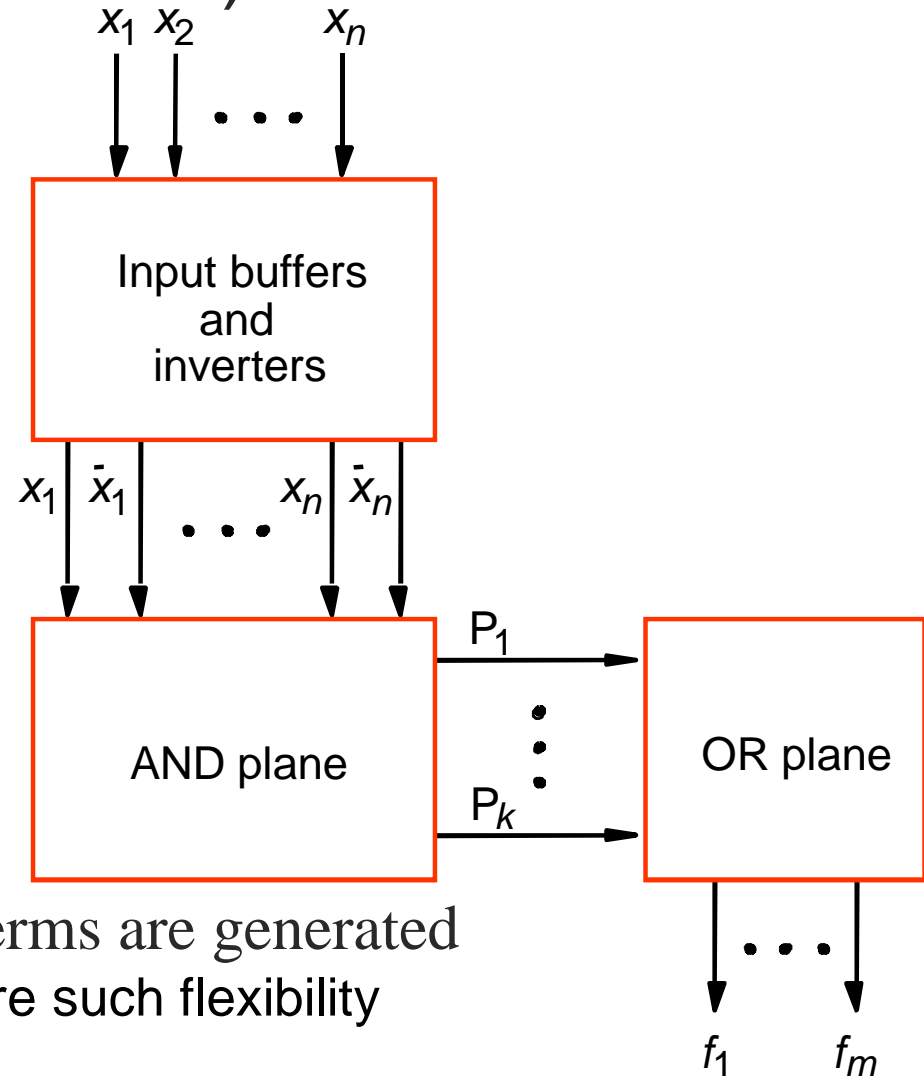
- longer time is needed to write

- flash ROM

- limited times of write operations

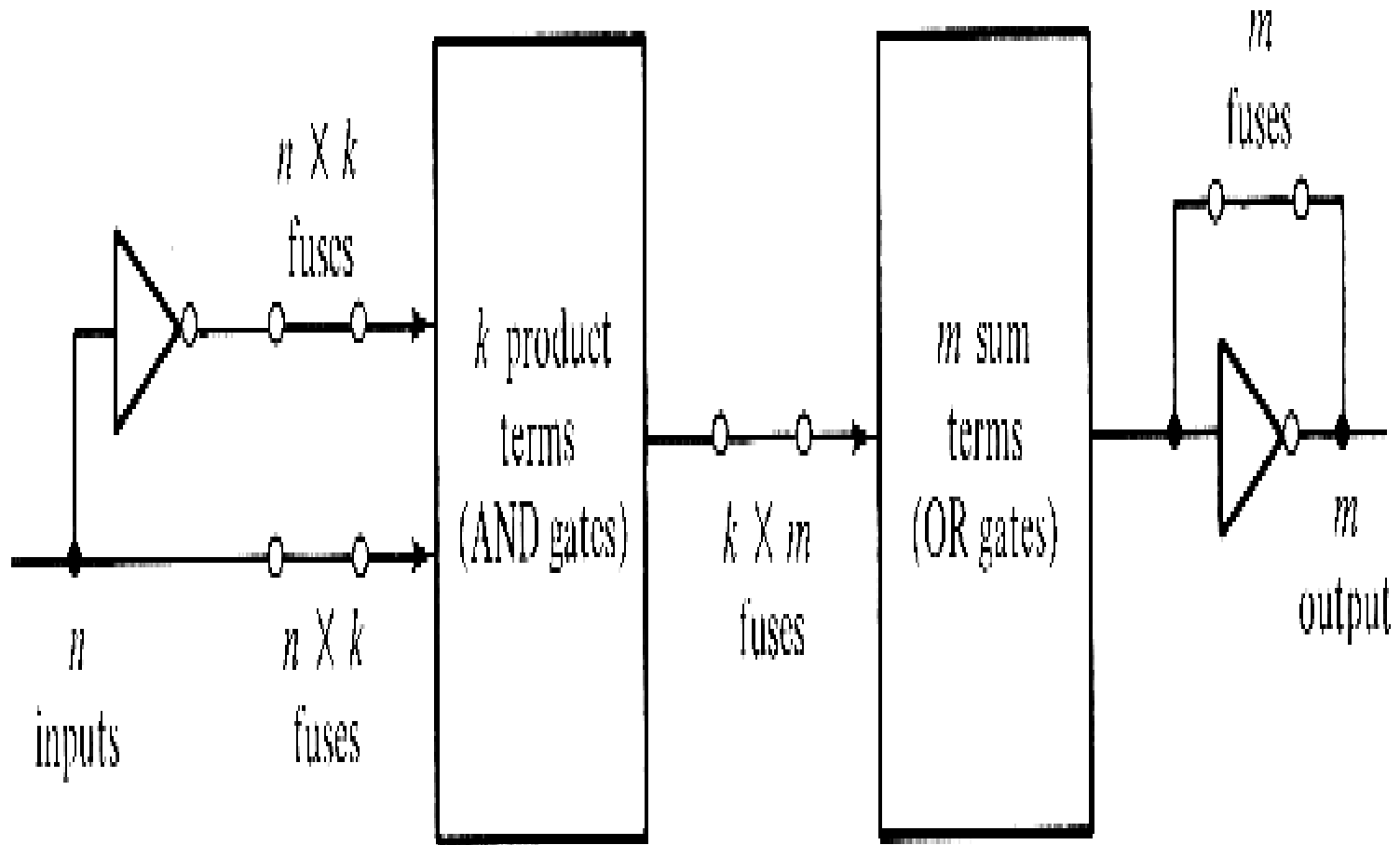
■ Programmable Logic Array (PLA) – (Both Array are programmable)

- Use to implement circuits in SOP form
- The connections in the AND plane are programmable
- The connections in the OR plane are programmable



- only the needed product terms are generated
- Many applications don't require such flexibility

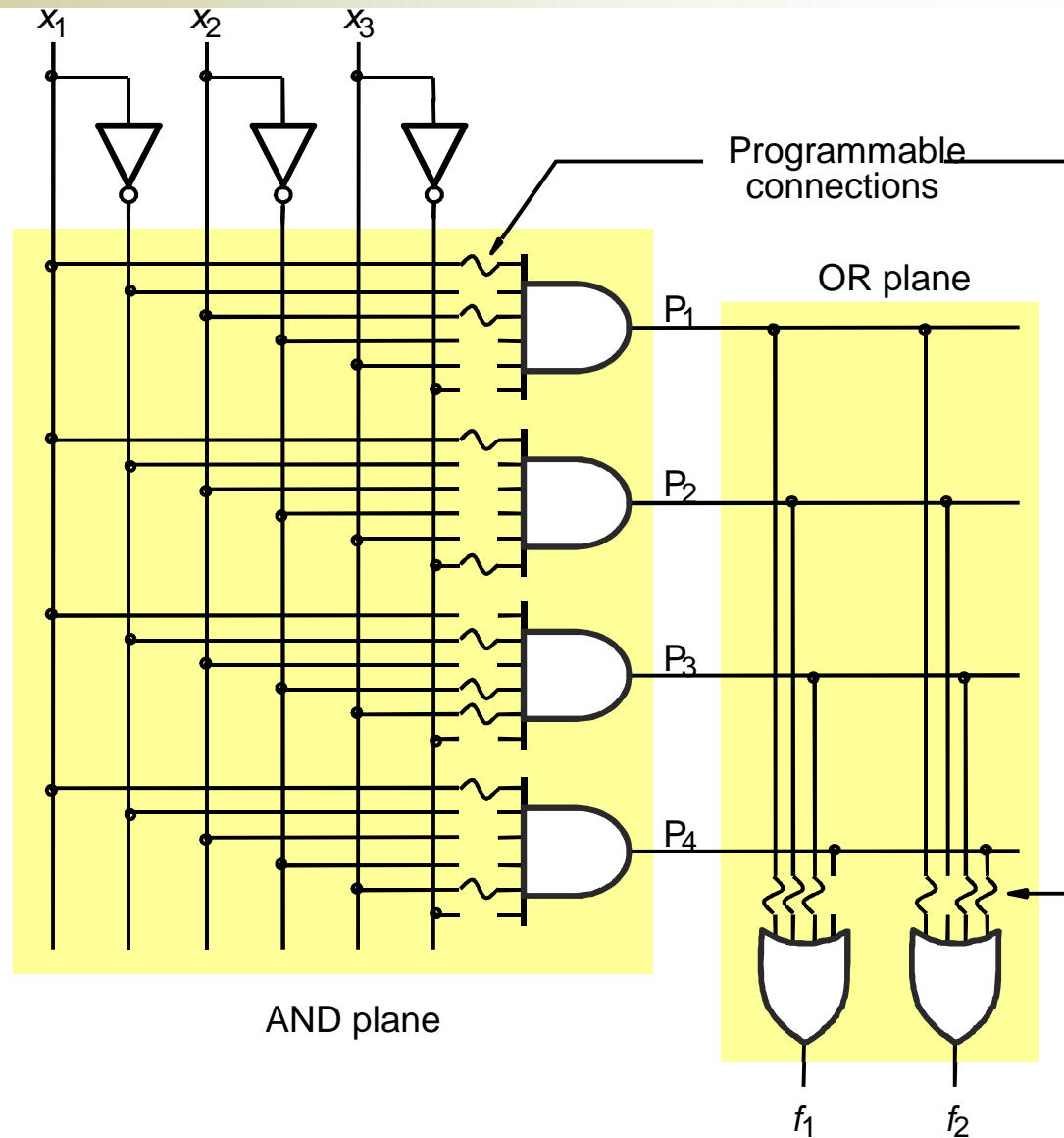
PLA



Gate Level Version of PLA

$$f_1 = x_1x_2 + x_1x_3' + x_1'x_2'x_3$$

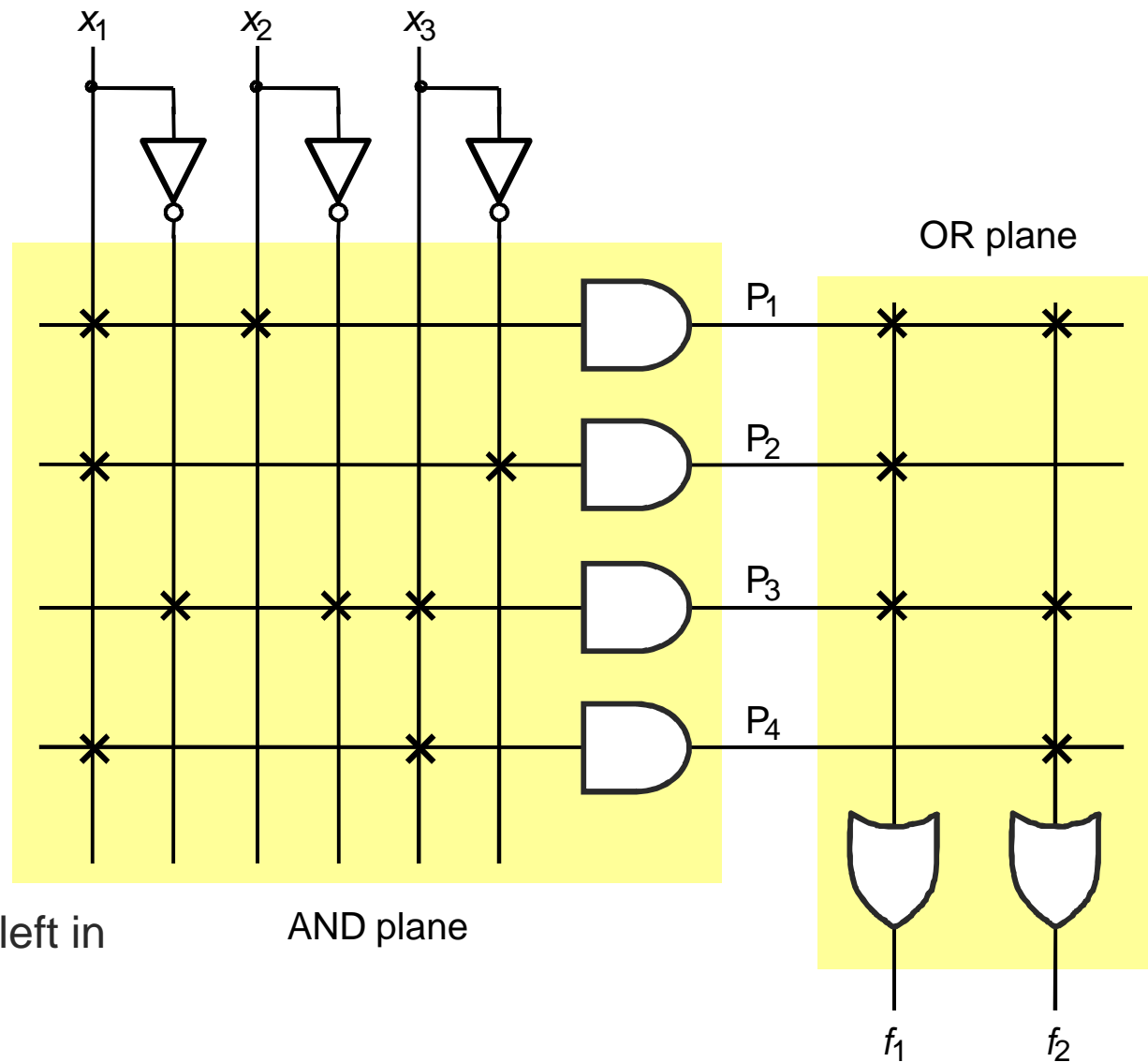
$$f_2 = x_1x_2 + x_1'x_2'x_3 + x_1x_3$$



Customary Schematic of a PLA

$$f_1 = x_1x_2 + x_1x_3' + x_1'x_2'x_3$$

$$f_2 = x_1x_2 + x_1'x_2'x_3 + x_1x_3$$



x marks the connections left in place after programming

Advantages of PLA:

- Both AND and OR array are programmable,
- It gives flexibility for implementation of Logic design.
- Included as a part of larger chips such as microprocessors.
- Power requirement is less than ROM.
- Cost is also less.

Disadvantages:

Simplification of boolean expression is required.

■ Limitations of PLAs

- PLAs come in various sizes
 - Typical size is 16 inputs, 32 product terms, 8 outputs
 - Each AND gate has large fan-in → this limits the number of inputs that can be provided in a PLA
 - 16 inputs → 3^{16} = possible input combinations; only 32 permitted (since 32 AND gates) in a typical PLA
 - 32 AND terms permitted → large fan-in for OR gates as well
 - This makes PLAs slower and slightly more expensive than some alternatives to be discussed shortly
 - 8 outputs → could have shared minterms, but not required

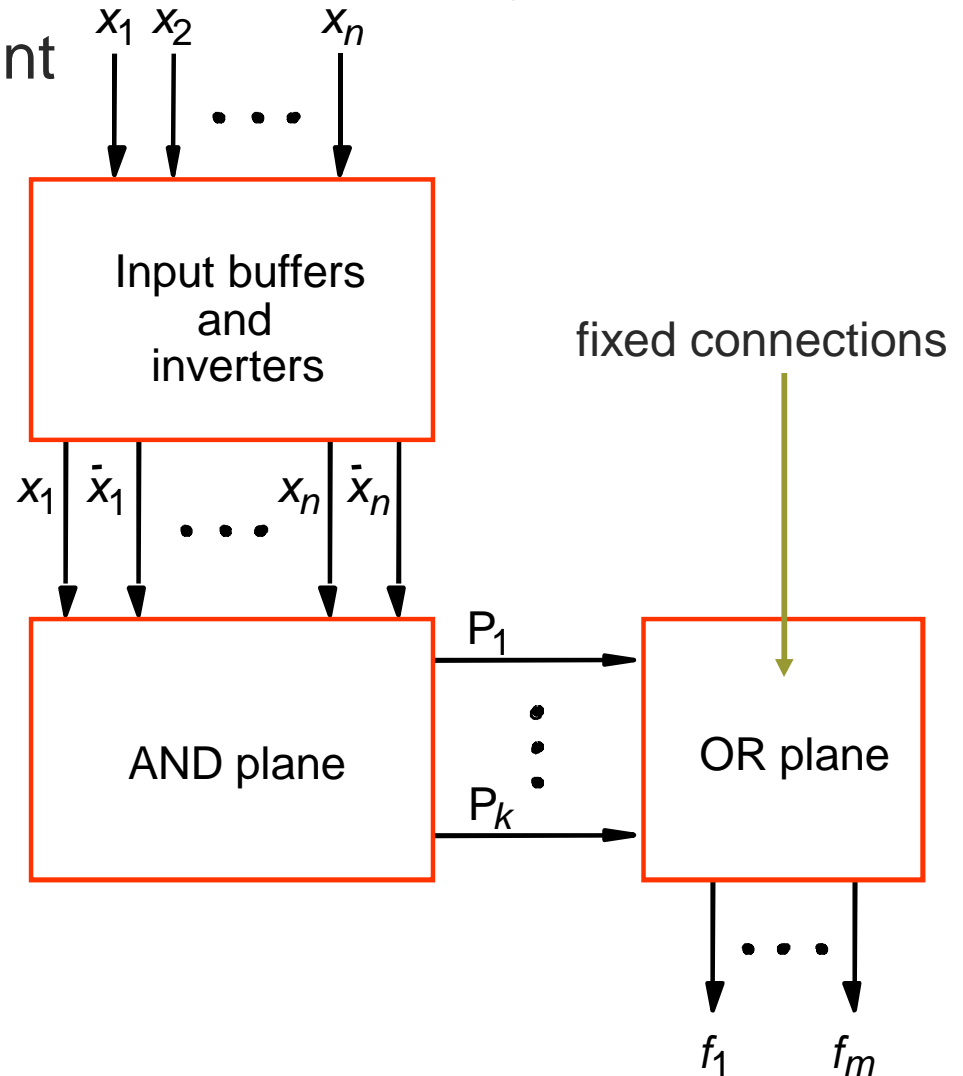
■ Programmable Array Logic (PAL)

(AND Array is programmable and OR array is fixed)

- Also used to implement circuits in SOP form

- The connections in the AND plane are programmable

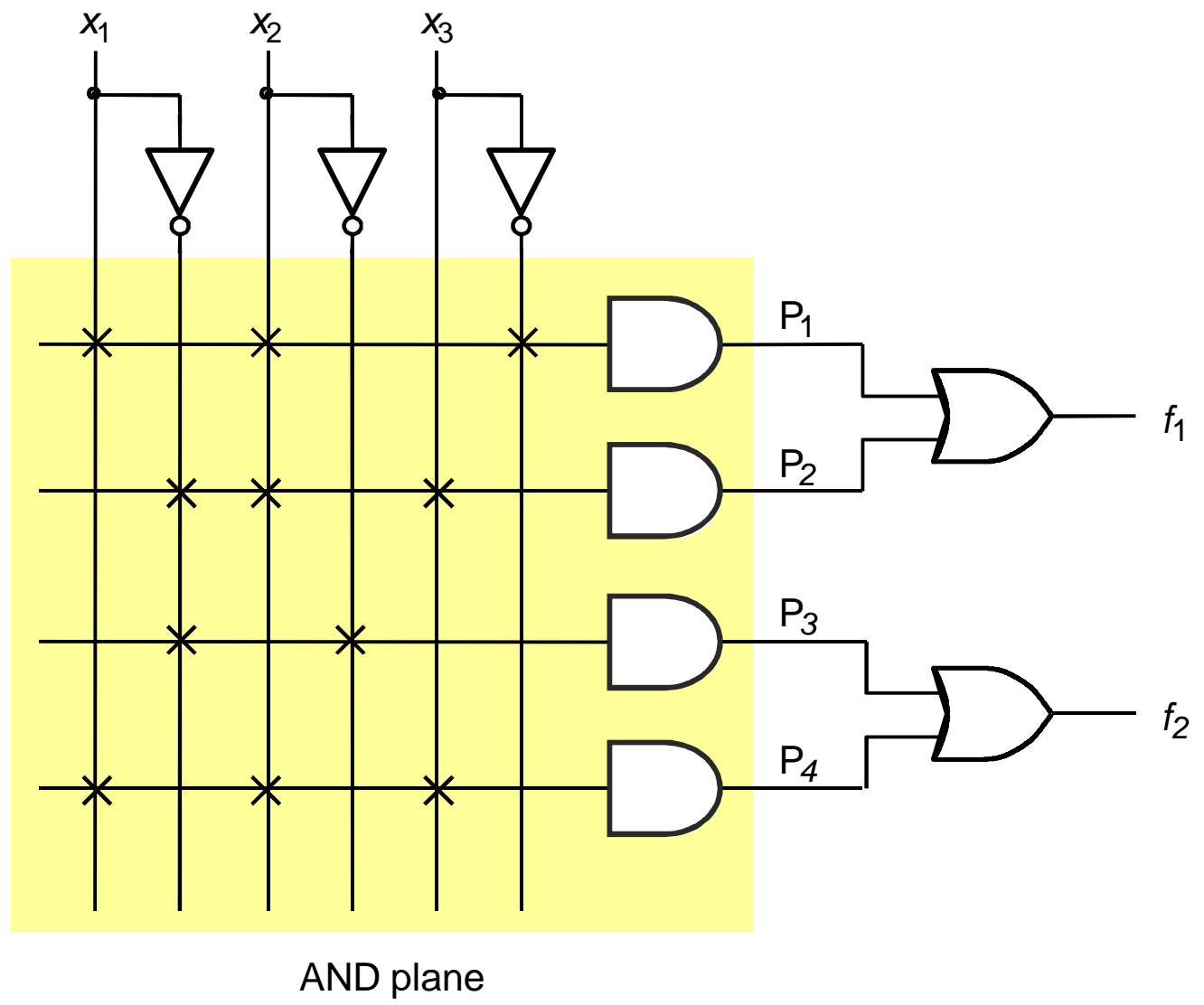
- The connections in the OR plane are NOT programmable



Example Schematic of a PAL

$$f_1 = x_1x_2x_3' + x_1'x_2x_3$$

$$f_2 = x_1'x_2' + x_1x_2x_3$$



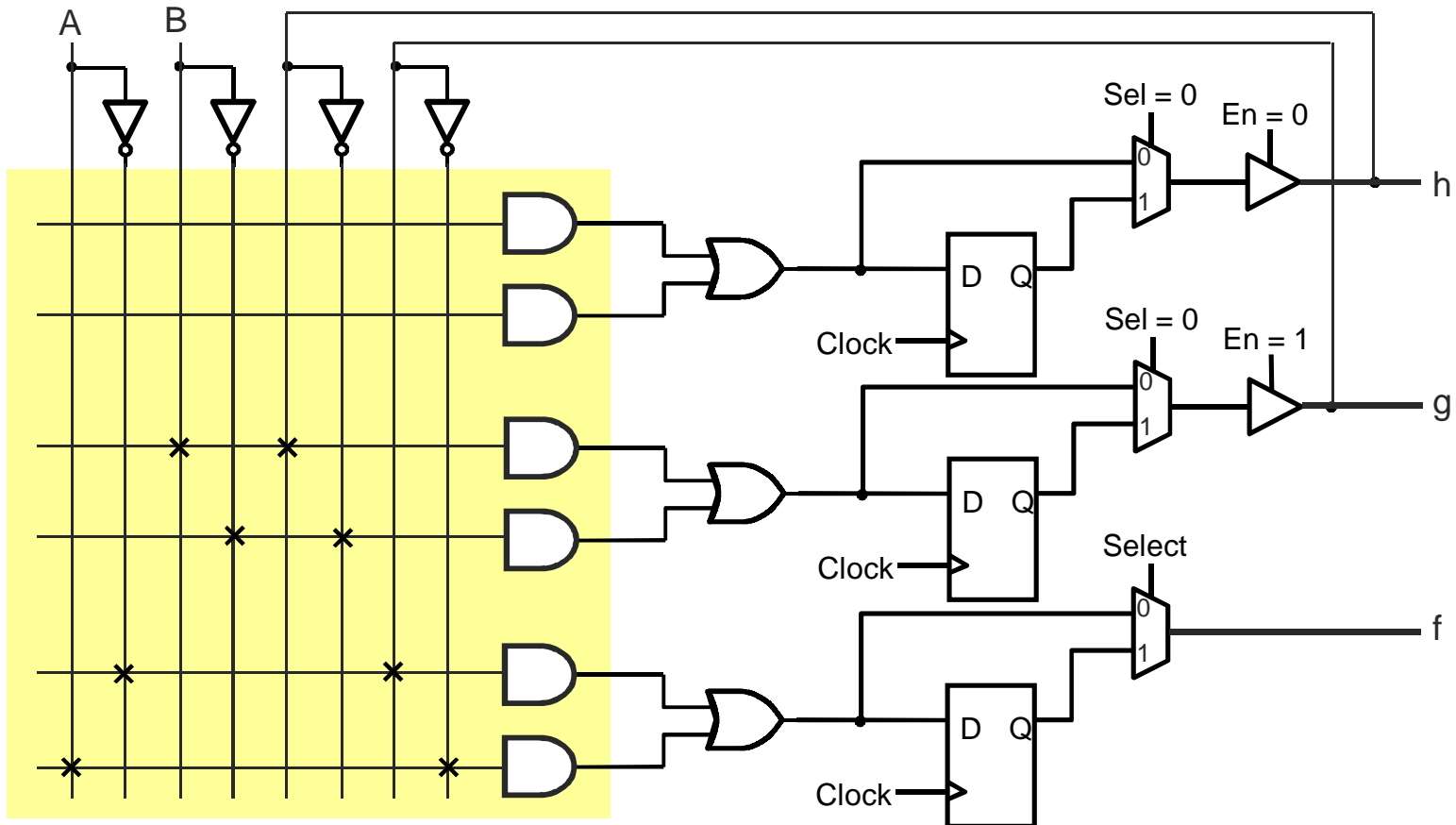
AND plane

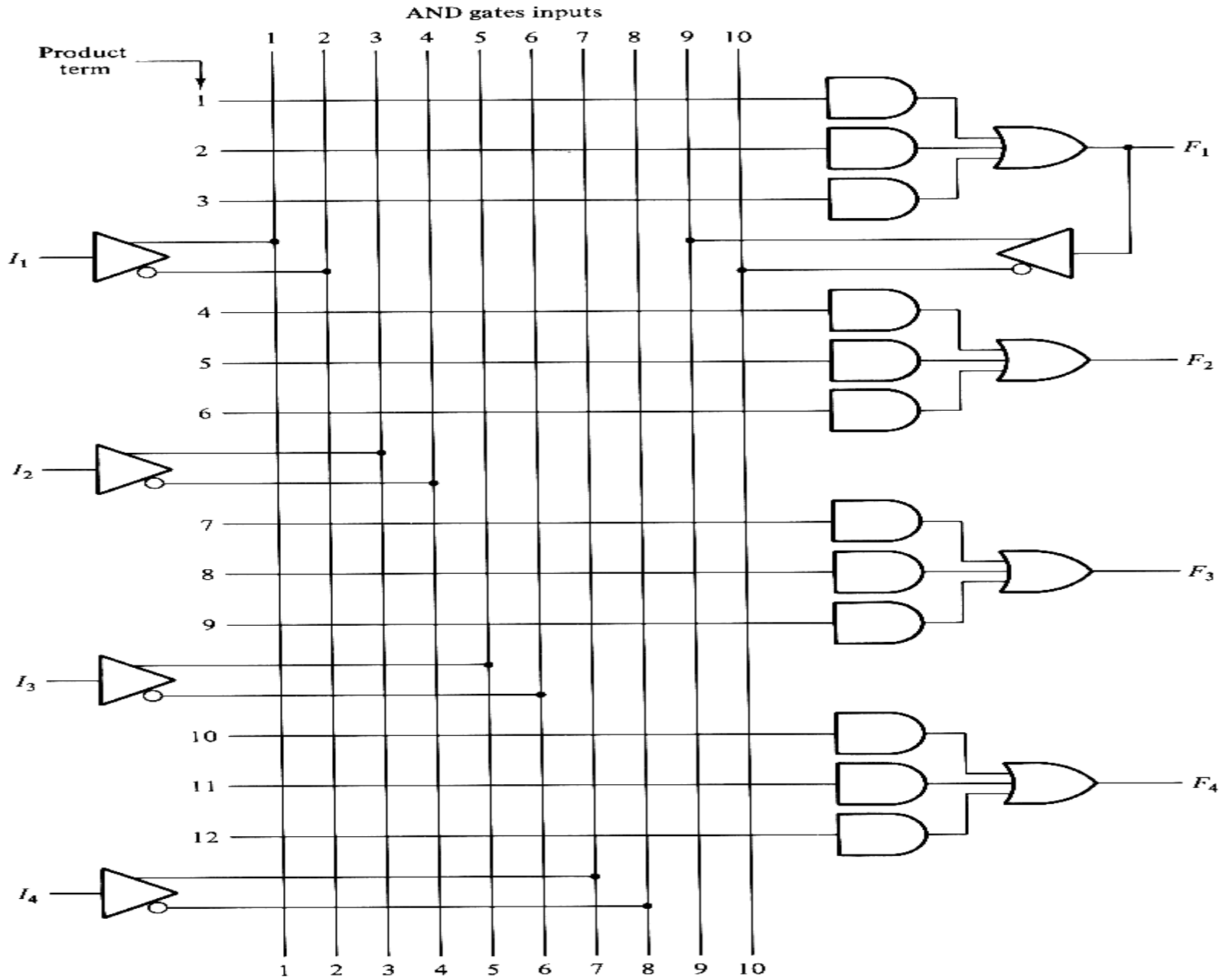
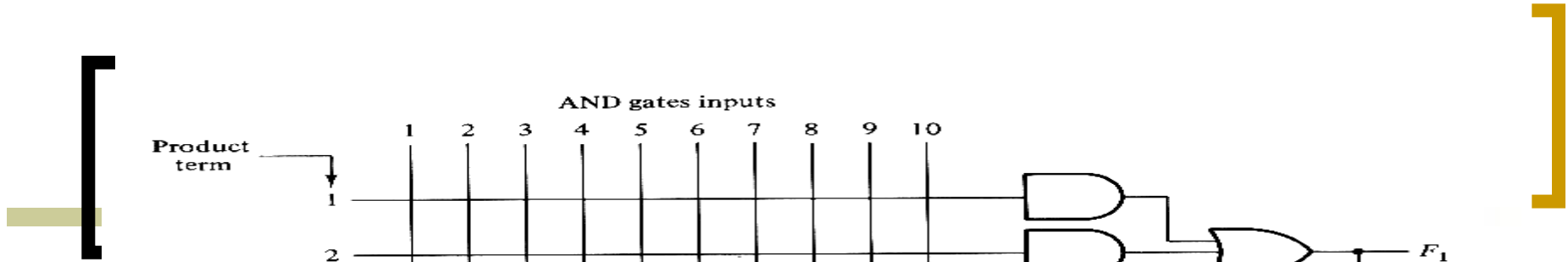
■ Comparing PALs and PLAs

- PALs have the same limitations as PLAs (small number of allowed AND terms) plus they have a fixed OR plane → less flexibility than PLAs
- PALs are simpler to manufacture, cheaper, and faster (better performance)
- PALs also often have extra circuitry connected to the output of each OR gate
 - The OR gate plus this circuitry is called a *macrocell*

Multi-Level Design with PALs

- $f = A'BC + A'B'C' + ABC' + AB'C = A'g + Ag'$
 - where $g = BC + B'C'$ and $C = h$ below





- can generate any product term
- each OR has only three inputs

■ Commercial PAL

- more than 8 inputs
- some of the output terminals are sometimes bidirectional
- each OR gate may have 8 inputs
- the fuse pattern may be unreadable
- output terminals may be latched

■ An example

- $w = S(2,12,13)$

$$x = S(7,8,9,10,11,12,13,14,15)$$

$$y =$$

$$S(0,2,3,4,5,6,7,8,10,11,15)$$

$$z =$$

$$S(1,2,8,12,13)$$

- $w = ABC' + A'B'CD'$

$$x = A + BCD$$

$$y =$$

$$A'B + CD + B'D'$$

$$z =$$

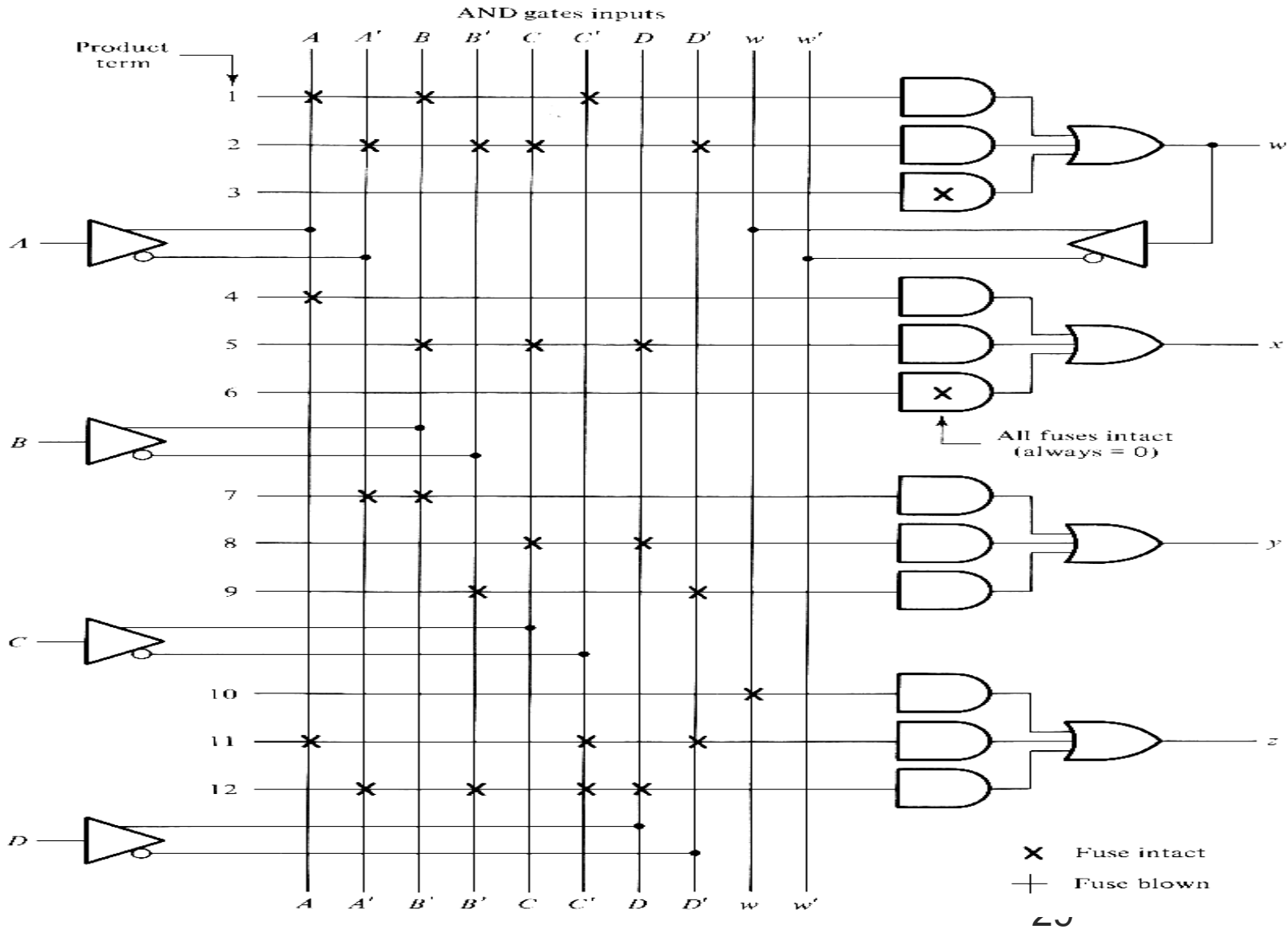
$$ABC' + A'B'CD' + AC'D' + A'B'C'D$$

$$= w + AC'D' + A'B'C'D$$

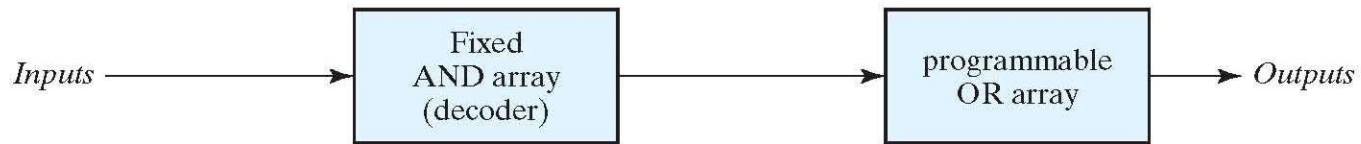
- using the output from w , the function z is reduced to three terms

- if an input of the AND gates is not used, leave all the input fuses input intact

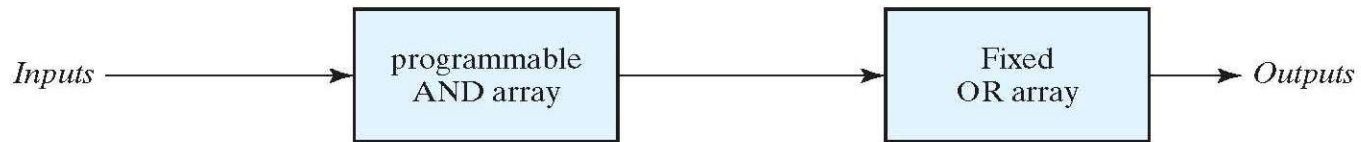
The fuse map



Combinational PLDs



(a) Programmable read-only memory (PROM)



(b) Programmable array logic (PAL)



(c) Programmable logic array (PLA)



Simple Programmable Logic Devices

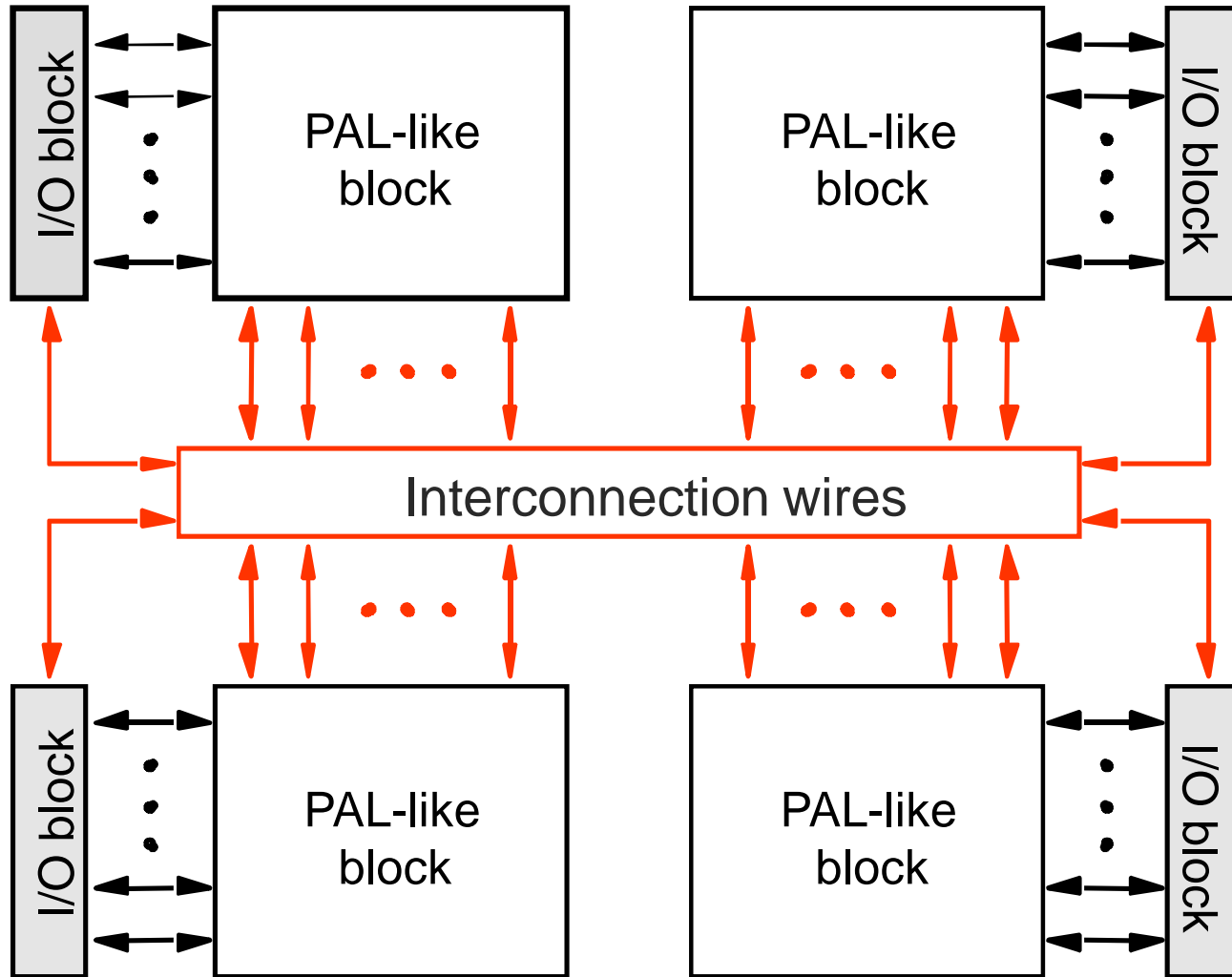
and

Complex Programmable Logic Devices

CPLD

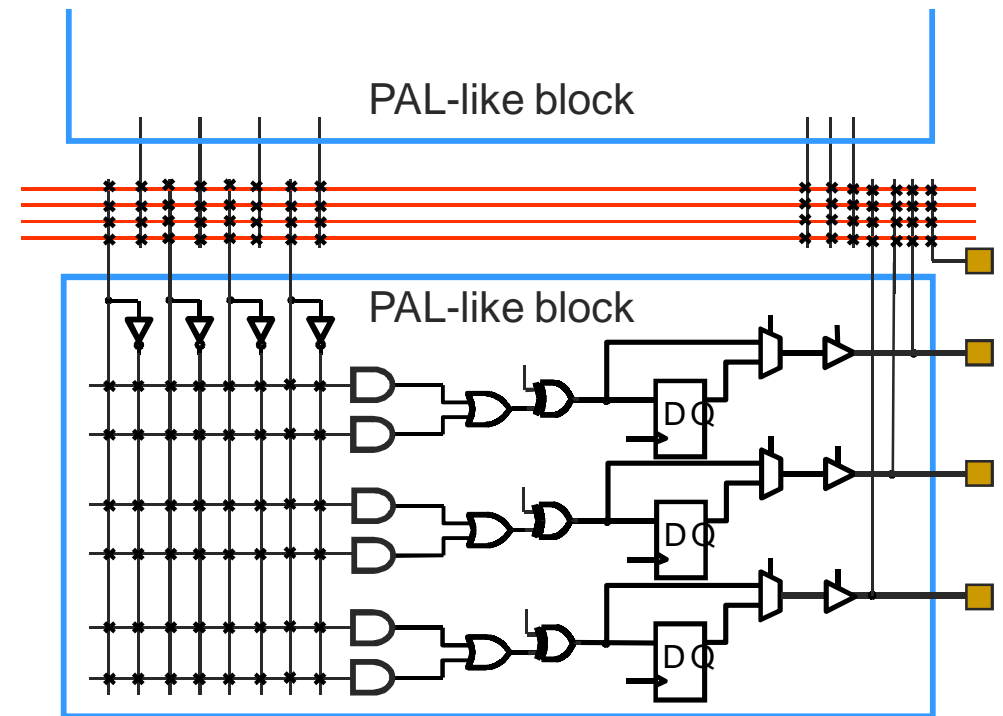
- Complex Programmable Logic Devices (CPLD)
- SPLDs (PLA, PAL) are limited in size due to the small number of input and output pins and the limited number of product terms
 - Combined number of inputs + outputs < 32 or so
- CPLDs contain multiple circuit blocks on a single chip
 - Each block is like a PAL: PAL-like block
 - Connections are provided between PAL-like blocks via an interconnection network that is programmable
 - Each block is connected to an I/O block as well

Structure of a CPLD



Internal Structure of a PAL-like Block

- Includes macrocells
 - Usually about 16 each
- Fixed OR planes
 - OR gates have fan-in between 5-20
- XOR gates provide negation ability
 - XOR has a control input



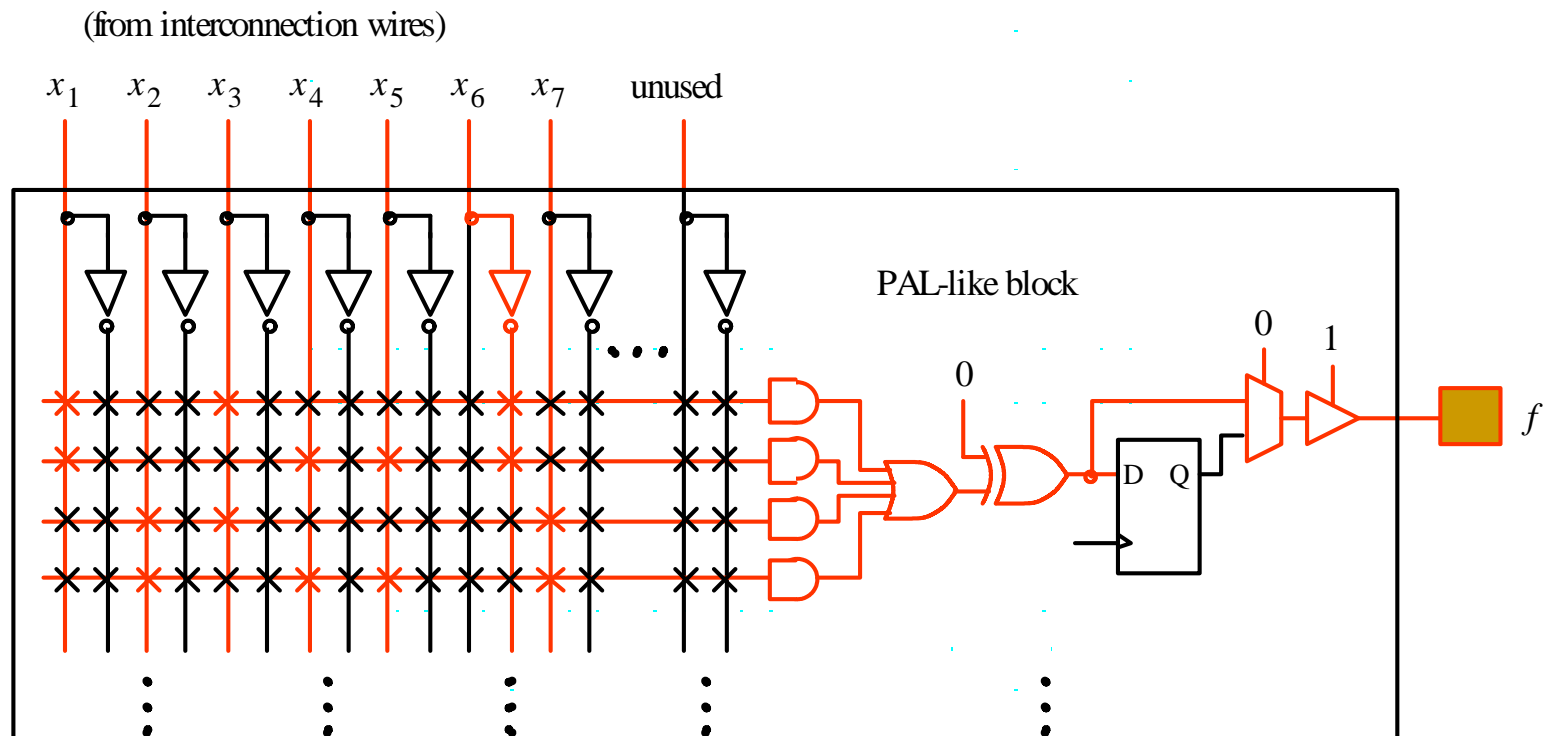
■ More on PAL-like Blocks

- CPLD pins are provided to control XOR, MUX, and tri-state gates
- When tri-state gate is disabled, the corresponding output pin can be used as an input pin
 - The associated PAL-like block is then useless
- The AND plane and interconnection network are programmable
- Commercial CPLDs have between 2-100 PAL-like blocks

Example CPLD

- Use a CPLD to implement the function

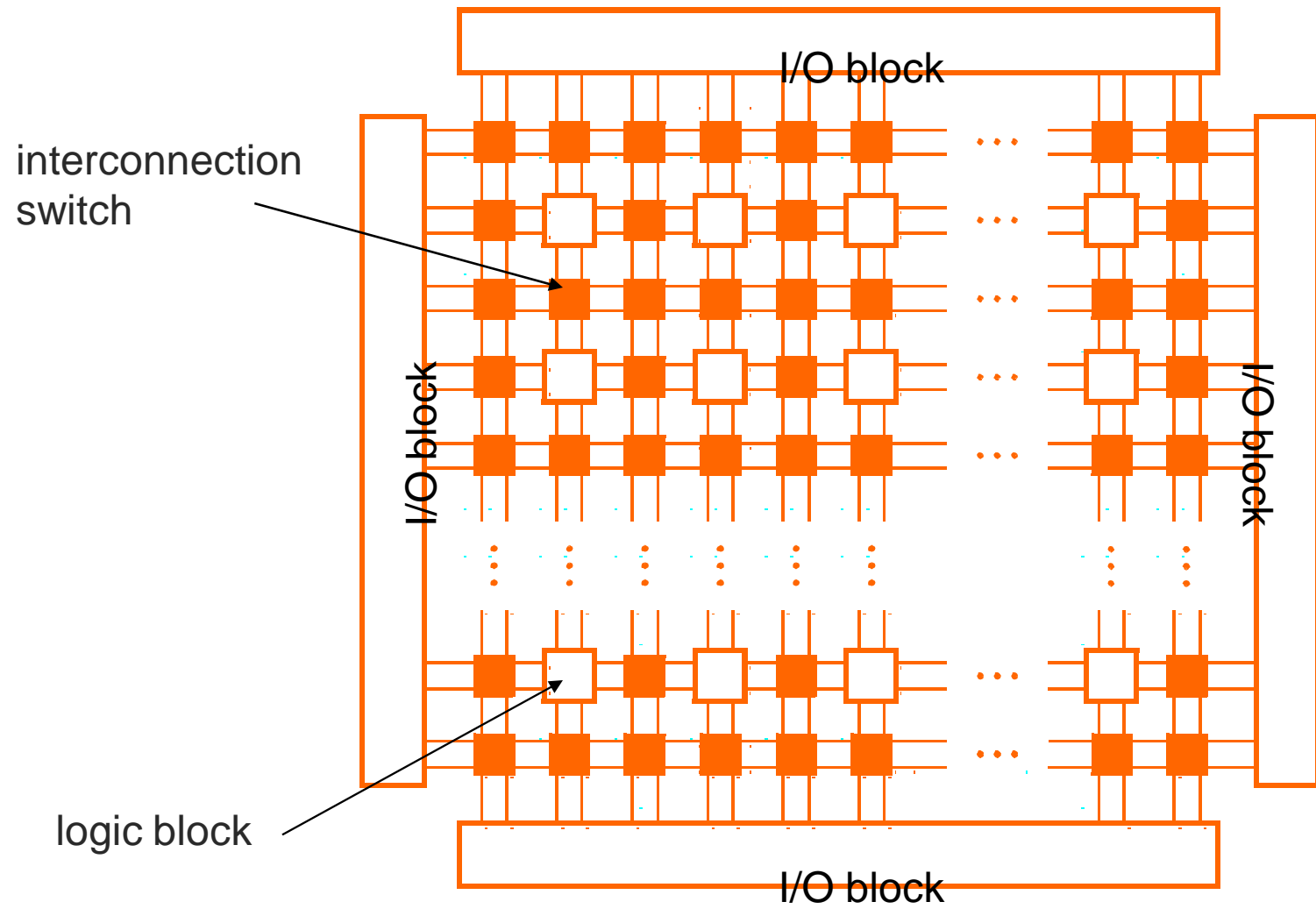
- $f = x_1x_3x_6' + x_1x_4x_5x_6' + x_2x_3x_7 + x_2x_4x_5x_7$



FPGA

- SPLDs and CPLDs are relatively small and useful for simple logic devices
 - Up to about 20000 gates
- Field Programmable Gate Arrays (FPGA) can handle larger circuits
 - No AND/OR planes
 - Provide logic blocks, I/O blocks, and interconnection wires and switches
 - Logic blocks provide functionality
 - Interconnection switches allow logic blocks to be connected to each other and to the I/O pins

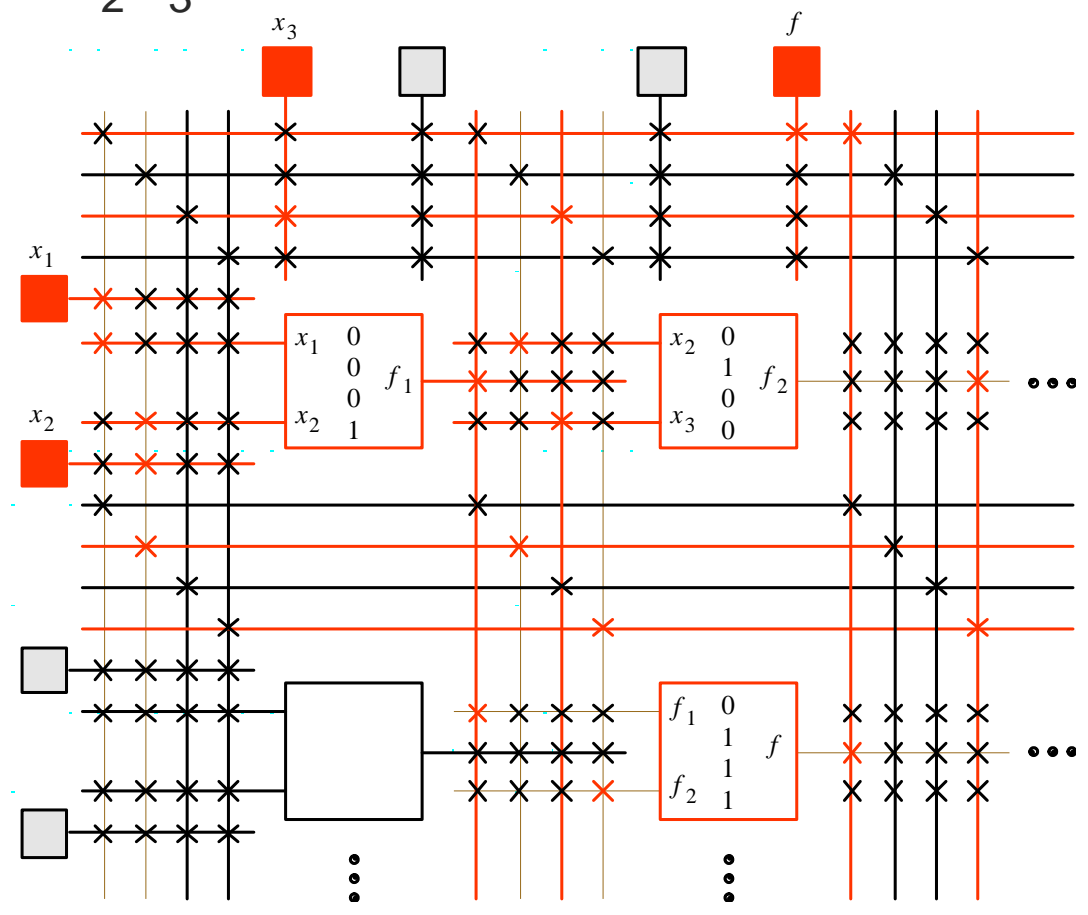
Structure of an FPGA



Example FPGA

- Use an FPGA with 2 input LUTs to implement the function $f = x_1x_2 + x_2'x_3$

- $f_1 = x_1x_2$
- $f_2 = x_2'x_3$
- $f = f_1 + f_2$



■ Another Example FPGA

- Use an FPGA with 2 input LUTS to implement the function $f = x_1x_3x_6' + x_1x_4x_5x_6' + x_2x_3x_7 + x_2x_4x_5x_7$
- Fan-in of expression is too large for FPGA (this was simple to do in a CPLD)
- Factor f to get sub-expressions with max fan-in = 2
 - $f = x_1x_6'(x_3 + x_4x_5) + x_2x_7(x_3 + x_4x_5)$
 $= (x_1x_6' + x_2x_7)(x_3 + x_4x_5)$
- Could use Shannon's expansion instead
 - Goal is to build expressions out of 2-input LUTs

■ Custom Chips

- PLDs are limited by number of programmable switches
 - Consume space
 - Reduce speed
- Custom chips are created from scratch
 - Expensive → used when high speed is required, volume sales are expected, and chip size is small but with high density of gates
 - ASICs (Application Specific Integrated Circuits) are custom chips that use a standard cell layout to reduce design costs

Assignment 30:-

Write short notes on:

- ROM
- PLA
- PAL